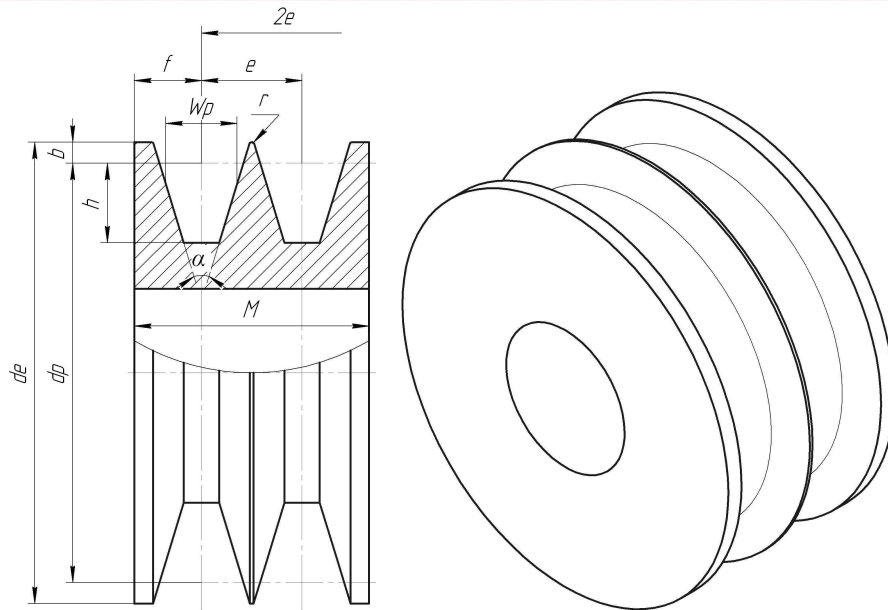




4.1. Загальна інформація



| Перетин ремня | W _p | b _{min} | h _{min} | e | | f | | r | d _p для кута канавки α | | | |
|------------------|----------------|------------------|------------------|--------|----------------|--------|----------------|-----|-----------------------------------|---------|----------|------|
| | | | | Номін. | Гран. відх. | Номін. | Гран. відх. | | 34° | 36° | 38° | 40° |
| | | | | | | | | | | | | |
| Z | 8,5 | 2,5 | 7,0 | 12,0 | ±0,3 | 8,0 | +2,0 -1,0 | 0,5 | 50-71 | 80-100 | 112-160 | 180 |
| A | 11,0 | 3,3 | 8,7 | 15,0 | ±0,3 | 10,0 | +2,0 -1,0 | 1,0 | 75-112 | 125-160 | 180-400 | 450 |
| B | 14,0 | 4,2 | 10,8 | 19,0 | ±0,4 | 12,5 | +2,0 -1,0 | 1,0 | 125-160 | 180-224 | 250-500 | 560 |
| C | 19,0 | 5,7 | 14,3 | 25,5 | ±0,5 | 17,0 | +2,0 -1,0 | 1,5 | - | 200-315 | 355-630 | 710 |
| D | 27,0 | 8,1 | 19,9 | 37,0 | ±0,6 | 24,0 | +3,0 -1,0 | 2,0 | - | 315-450 | 500-900 | 1000 |
| E | 32,0 | 9,6 | 23,4 | 44,5 | ±0,7 | 29,0 | +4,0 -1,0 | 2,0 | - | 500-560 | 630-1120 | 1250 |
| EO | 42,0 | 12,5 | 30,5 | 58,0 | ±0,8 | 38,0 | +5,0 -1,0 | 2,5 | - | - | 800-1400 | 1600 |