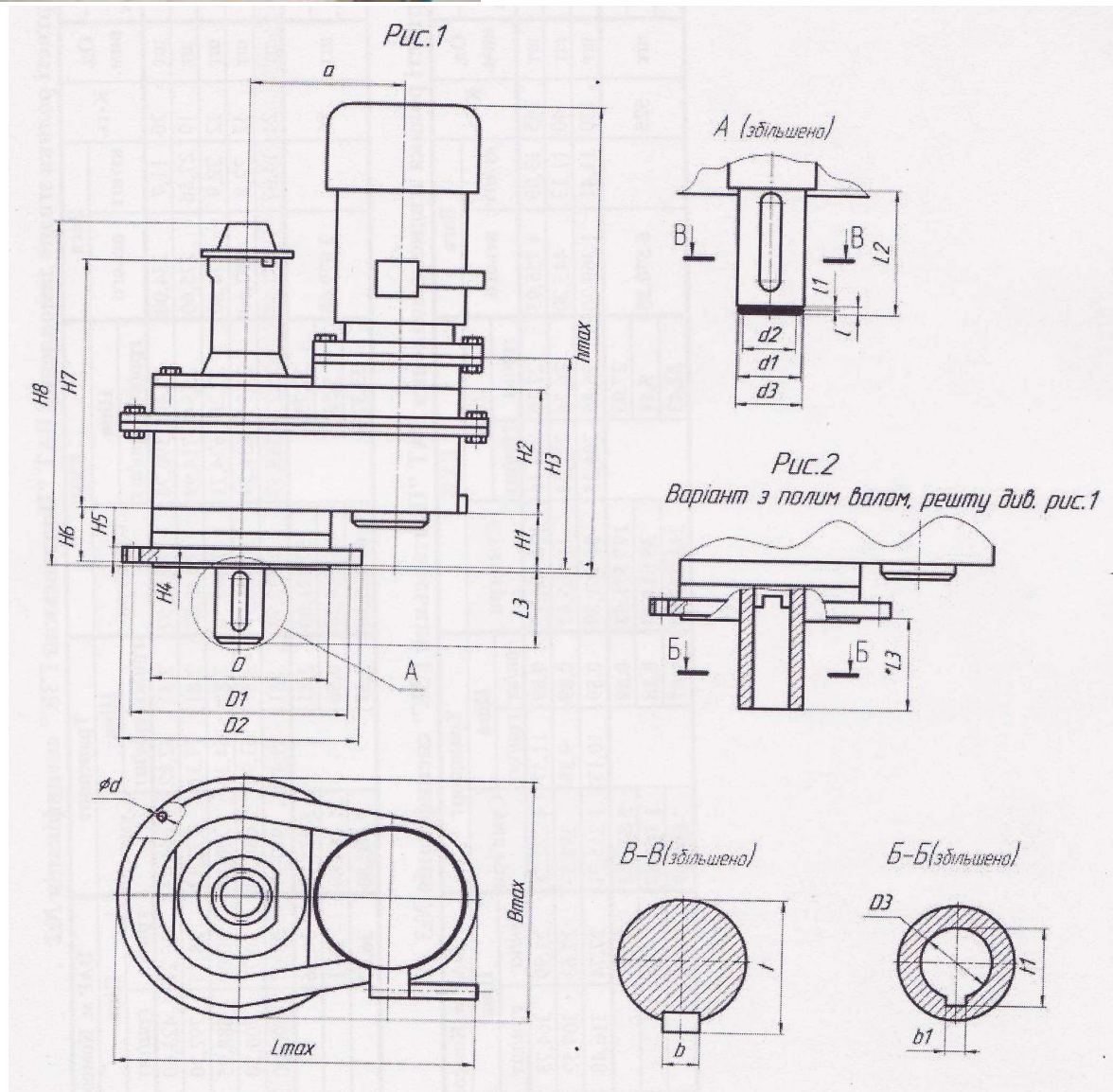


## Actuator for Vertical Vessels with Mixing Tools

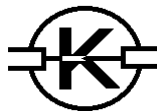


These intended for use in chemical and paint and varnish, etc sectors for mixing liquid substances. It can also find application in food industry (for instance, in dough kneading machines). The actuator comes in a tight housing. Motors come in general purpose or explosion-proof modifications.



### Contact us

Tel:	+38(032) 255-88-50	WEB:	<a href="http://www.conveyer.com.ua">www.conveyer.com.ua</a>
Tel / Fax::	+38(032) 255-88-09	E-mail:	<a href="mailto:convpr@ukr.net">convpr@ukr.net</a>
Tel. mob.	+38 067-671-23-72		



	Type				
	B112	B140	B180	B200	B315
<b>Hmax</b>	690	890	1050	1100	1327
<b>H1</b>	80	105	60	110	180
<b>H2</b>	130	212	230	220	310
<b>H3</b>	300	400	422	506	672
<b>H4</b>	6	7	8	10	12
<b>H5</b>	16	18	24	22	40
<b>H6</b>	50	88	84	95	128
<b>H7</b>	300	400	600	720	1150
<b>H8</b>	425	563	767	910	1413
<b>D</b>	240h8	290h8	330h8	350	720
<b>D1</b>	300	330	375	400	780
<b>D2</b>	330	370	420	450	840
<b>D3</b>	45H7	60H7	65H7	75	105
<b>d</b>	14	18	22	80TBØ22	80TBØ26
<b>d1</b>	38	48	62	88	123
<b>d2</b>	32	42	55	80	110
<b>d3</b>	50k6	65k6	80k6	90	125
<b>Lmax</b>	473	590	677	725	1135
<b>L1</b>	377	540	637	692	1048
<b>L2</b>	89	97	121	170	210
<b>L3</b>	100	110	170	-	-
<b>L3*</b>	70	112	115	122	182
<b>I</b>	11	14	18	18	22
<b>I1</b>	6	8	10	8	10
<b>Bmax</b>	440	380	575	590	840
<b>b</b>	16h8	18h8	22h8	25h10	32h9
<b>t</b>	54.3	69.4	85.4	95-0.5	132
<b>b1</b>	6D10	18D10	18D10	20D10	28D10
<b>t1</b>	48.8	64.4	69.4	79.9	111.4
<b>a</b>	183	230	292	325	515

## EXAMPLES:

B112-0,75-32-I — includes motor with solid shaft;

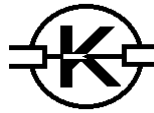
B112-0,75-32-I-II — includes motor with hollow shaft.

B112-0,75-32-2 — includes explosion protected motor with solid shaft.

## Contact us

Tel:	+38(032) 255-88-50	WEB:	<a href="http://www.conveyer.com.ua">www.conveyer.com.ua</a>
Tel / Fax::	+38(032) 255-88-09	E-mail:	<a href="mailto:convpr@ukr.net">convpr@ukr.net</a>
Tel. mob.	+38 067-671-23-72		





## Major Specification

№	Type	Nominal power, kW	Shaft speed, rpm	Output shaft torque, Nm	Weight, kg	№	Type	Nominal power, kW	Shaft speed, rpm	Output shaft torque, Nm	Weight, kg	
1	B 112-0,75-32	0,75	32	220	94	28	B 180-3-32	3	32	880	202	
2	B 112-0,75-50		50	145		29	B 180-3-125		125	225		
3	B 112-1,5-50	1,5	50	290	104	30	B 180-4-50	4	50	780	253	
4	B 112-1,5-64			64		220	31			B 180-5,5-50		1070
5	B 112-1,5-80		80	180		32	B 180-5,5-100	520	273			
6	B 112-1,5-125		125	115		33	B 180-7,5-64	1100				
7	B 112-2,2-100	2,2	100	210	131	34	B 180-7,5-100	7,5	64	1100	315	
8	B 115-2,2-125		125	170		35	B 180-7,5-125		730			
9	B 112-3-100	3	100	290	141	36	B 180-7,5-130	11	100	1070	332	
10	B 112-3-125		125	230		37	B 180-11-100		125	850		
11	B 112-3-160	4	160	180	146	38	B 180-11-125	15	125	850	332	
12	B 112-4-160			240		39	B 180-11-160		160	670		
13	B 112-4-200	1,5	200	190	176	40	B 180-15-125	15	125	1160	355	
14	B 140-1,5-32		32	440		41	B 180-15-160		160	910		
15	B 140-1,5-160	2,2	50	90	206	42	B 180-15-200	18,5	200	730	378	
16	B 140-2,2-50			420		43	B 180-18,5-130		130	1366		
17	B 140-3-50	3	580	217	217	44	B 180-18,5-200	200	900	412		
18	B 140-4-100	4	100	380	220	45	B 200-5,5-18	5,5	18		2970	
19	B 140-4-125		125	310		46	B 200-5,5-32		32	1670		
20	B 140-5,5-100	5,5	100	530	244	47	B 200-7,5-50	7,5	50		1135	
21	B 140-5,5-125		125	420		48	B 200-11-63	11	63	1690		473
22	B 140-5,5-160		160	330		49	B 315-15-25	15	25	8080		1135
23	B 140-5,5-200		200	265		50	B 315-15-32		32	4550		
24	B 140-7,5-125	7,5	125	580	290	51	B 315-18,5-25	18,5	25	7170	1155	
25	B 140-7,5-160		160	450		52	B 315-22-32	22	34	6680	1210	
26	B 140-7,5-200		200	360		53	B 315-30-63	30	63	4610	1245	
27	B 140-11-200	11		530	294	54	B 315-30-62		62	1160	1235	

## Contact us

Tel:	+38(032) 255-88-50	WEB:	<a href="http://www.conveyer.com.ua">www.conveyer.com.ua</a>
Tel / Fax::	+38(032) 255-88-09	E-mail:	<a href="mailto:convpr@ukr.net">convpr@ukr.net</a>
Tel. mob.	+38 067-671-23-72		

